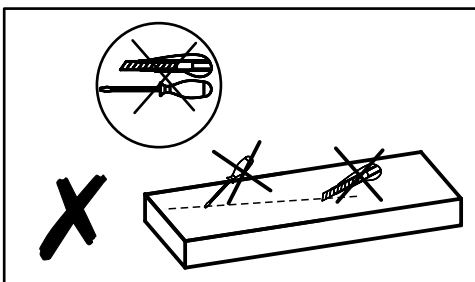
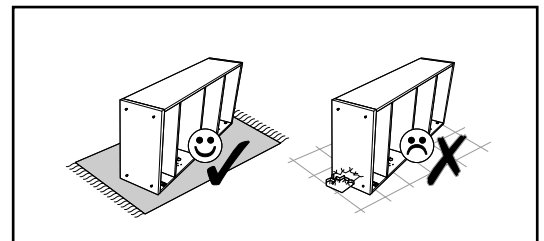
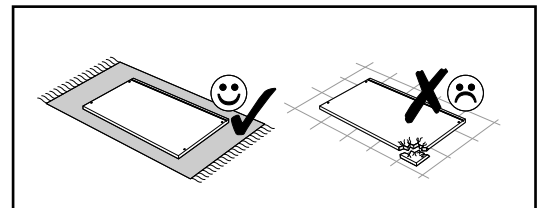
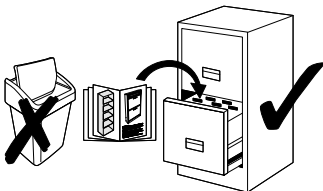
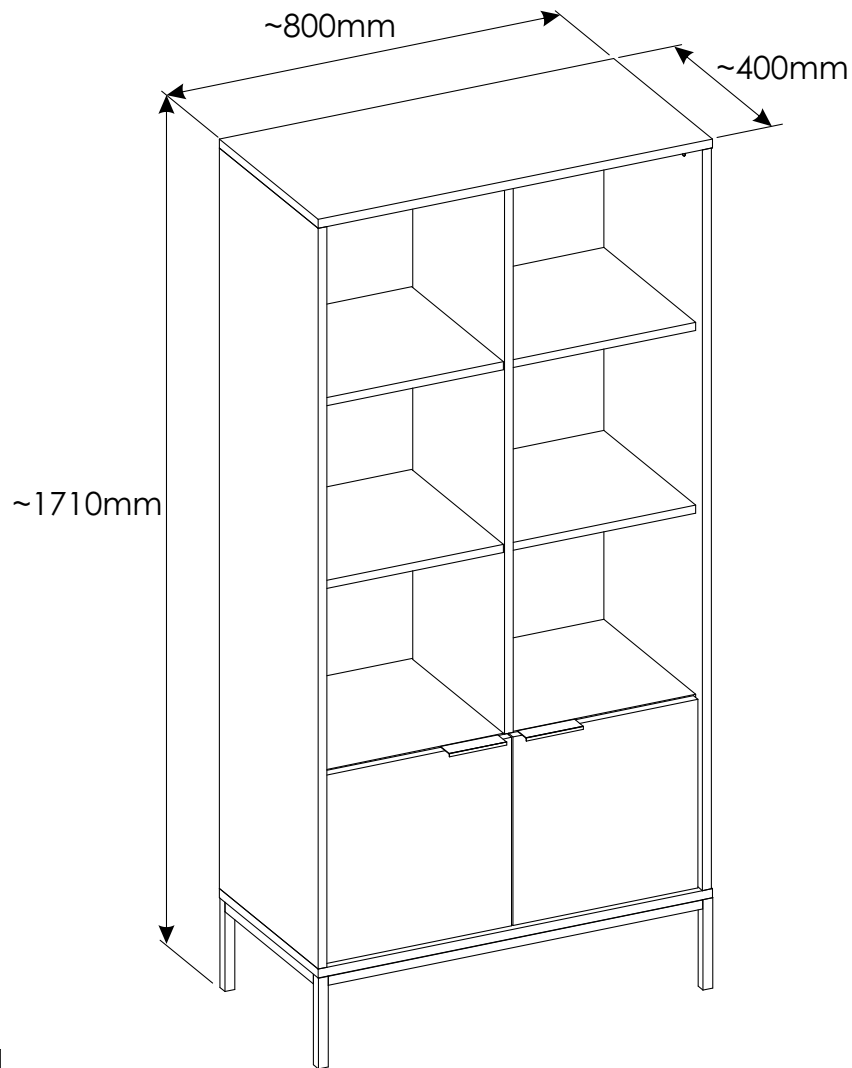
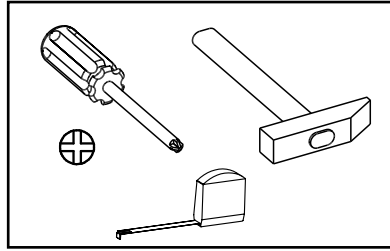
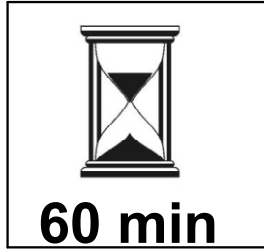
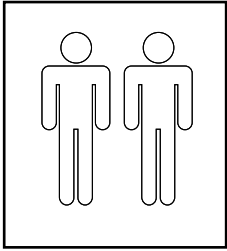
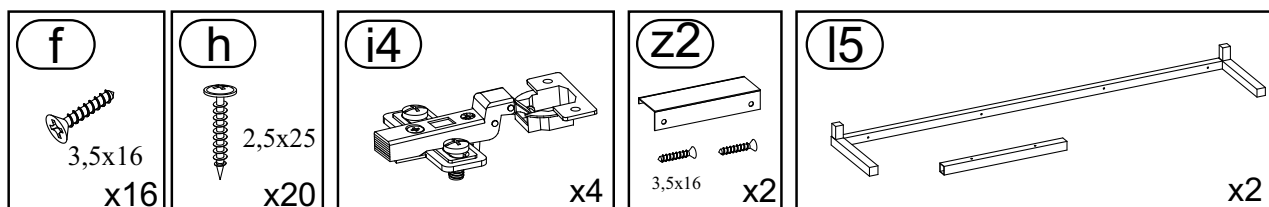
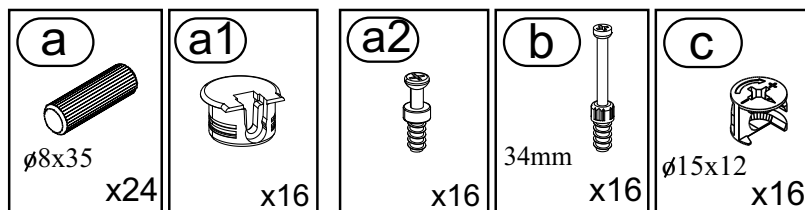
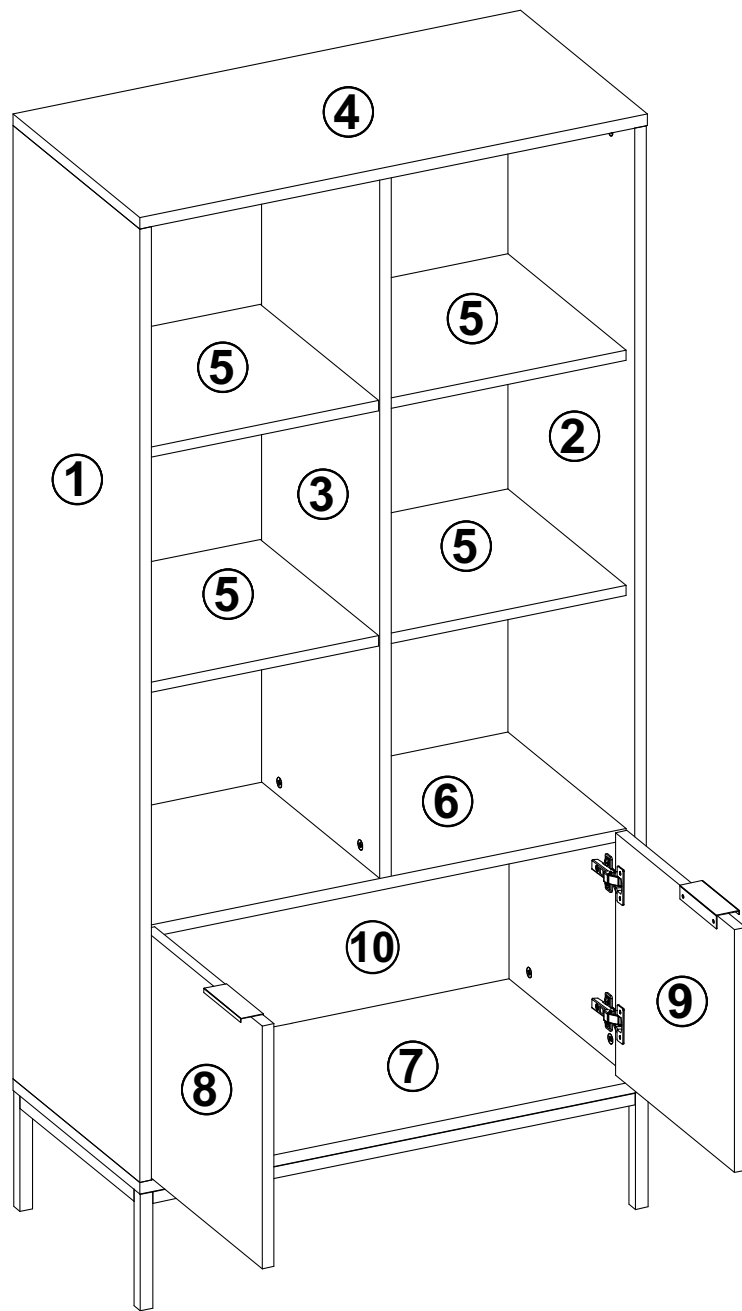


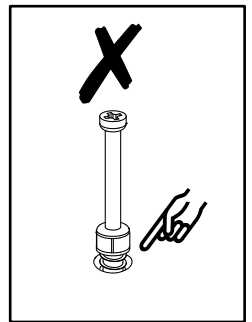
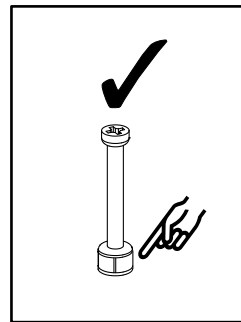
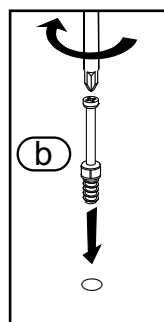
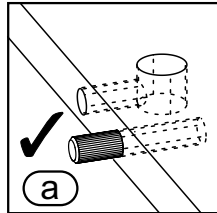
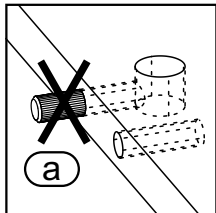
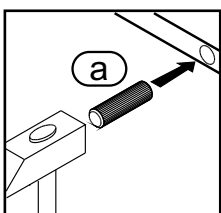
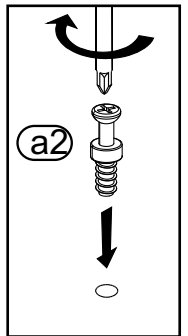
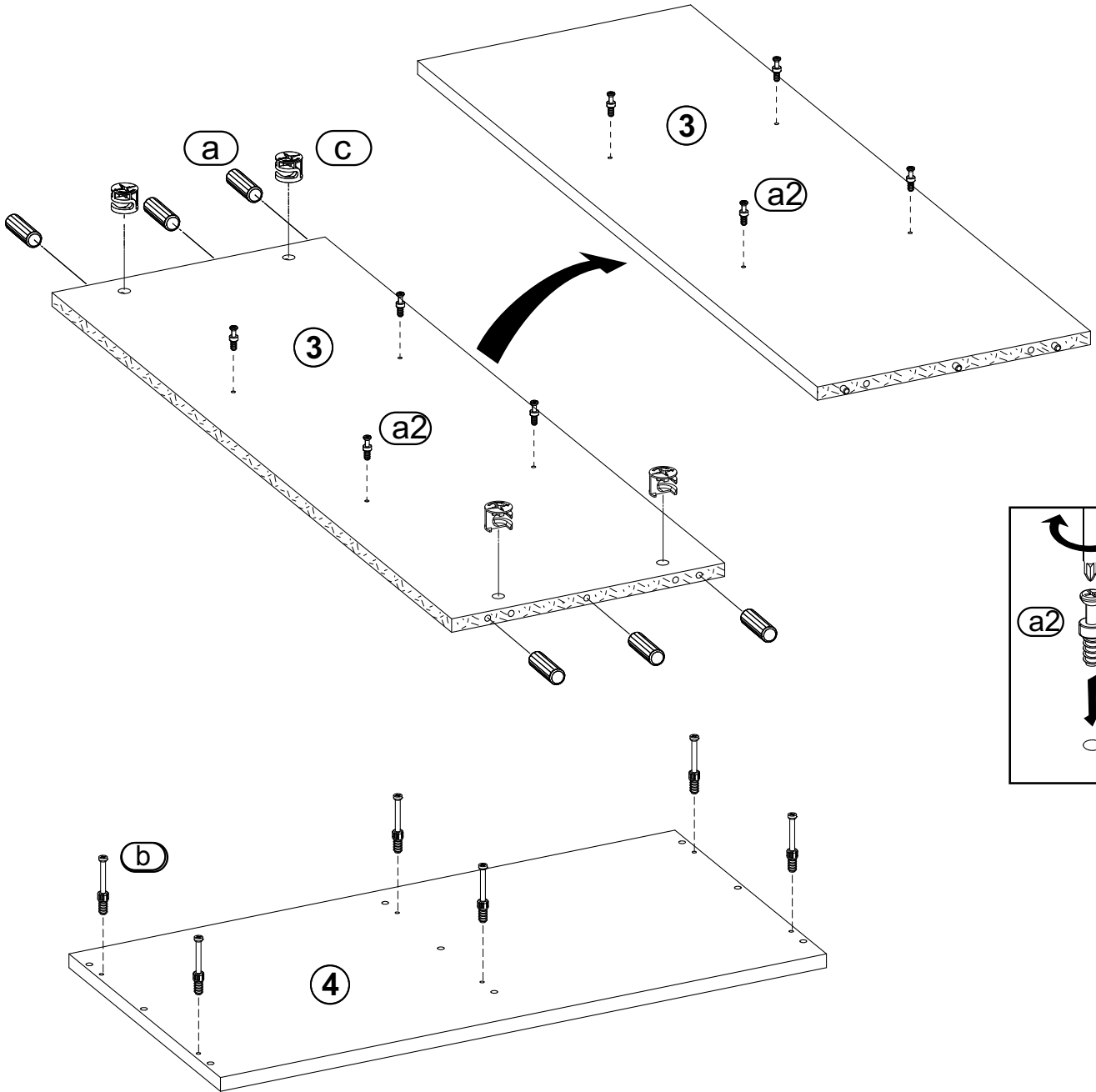
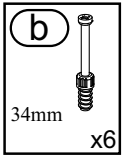
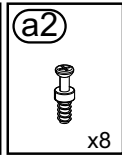
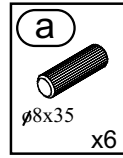
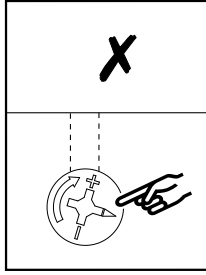
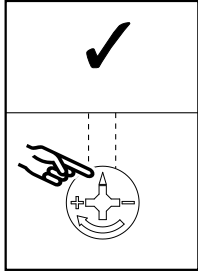
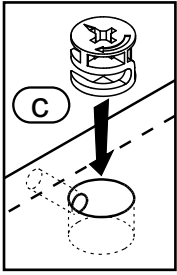
Austin



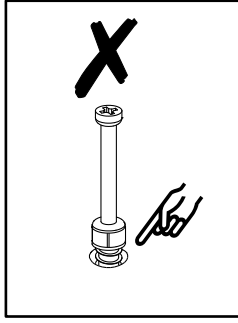
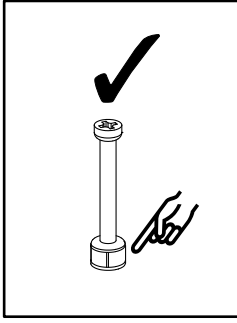
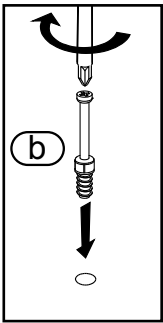
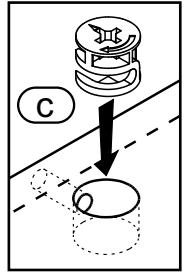
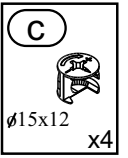
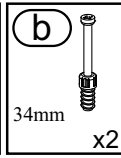
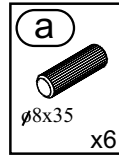
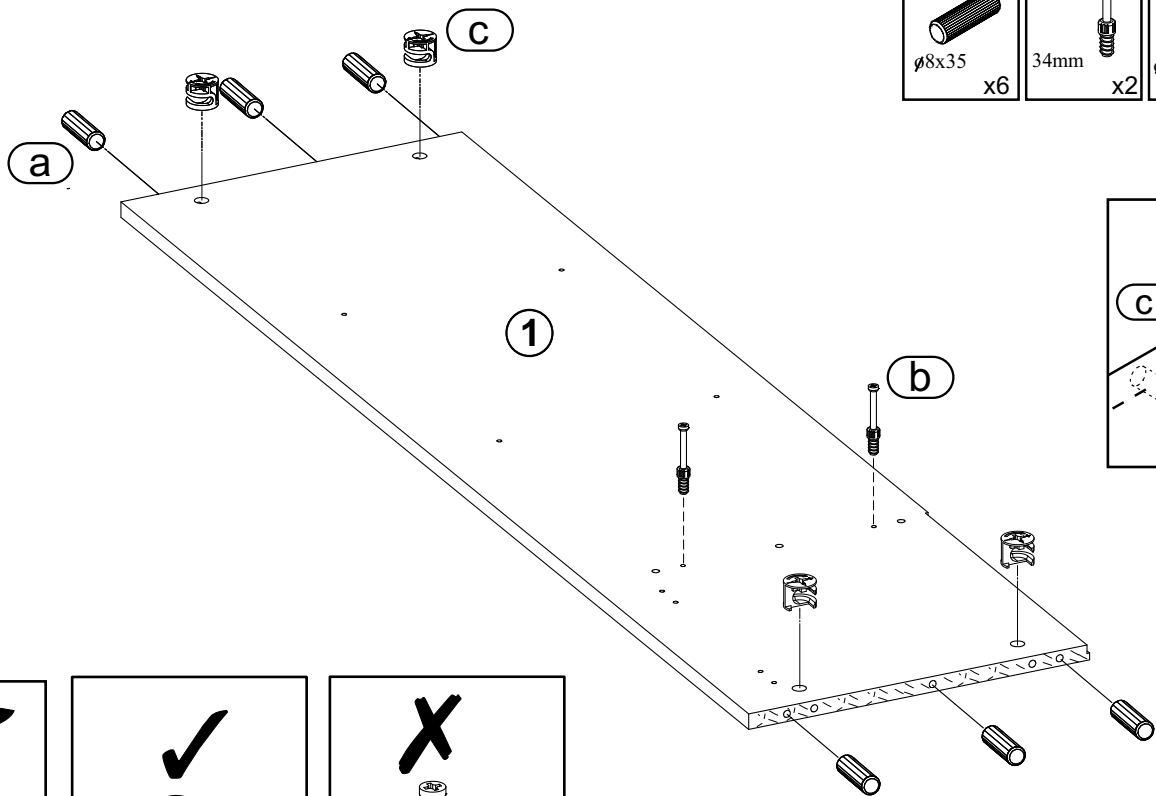
①	1473x400	1	1/2
②	1473x400	1	1/2
③	1089x372	1	1/2
④	800x400	1	2/2
⑤	372x372	4	2/2
⑥	762x372	1	2/2
⑦	800x400	1	2/2
⑧	375x375	1	2/2
⑨	375x375	1	2/2
⑩	789x393	1	2/2



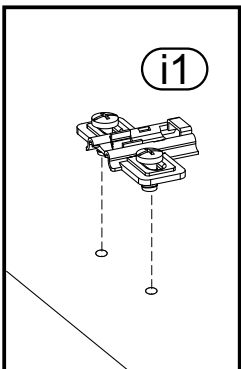
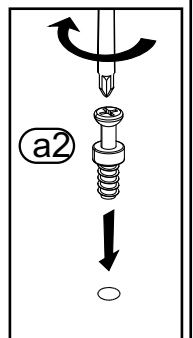
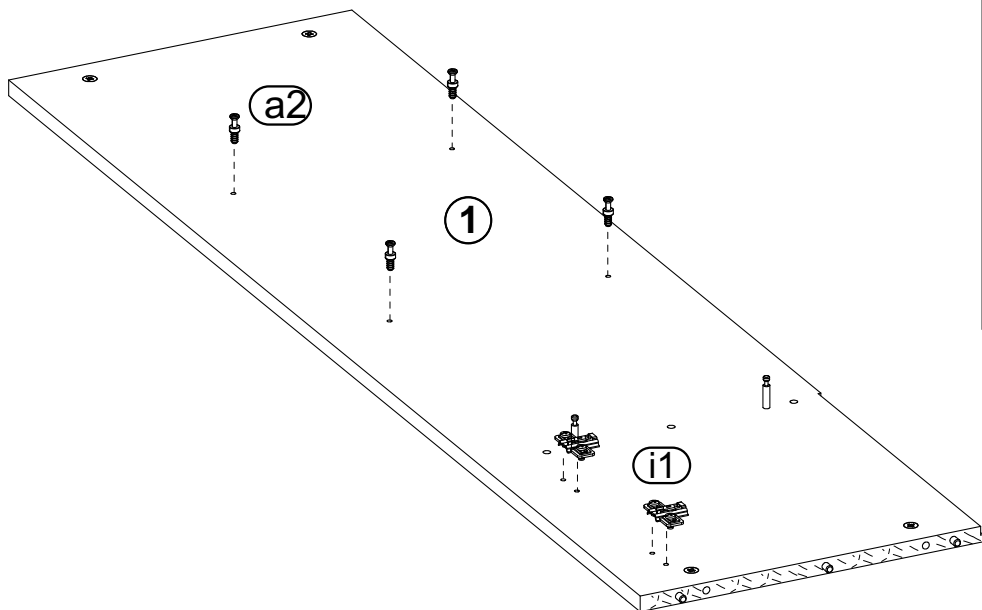
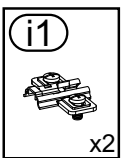
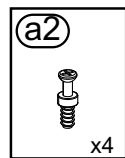
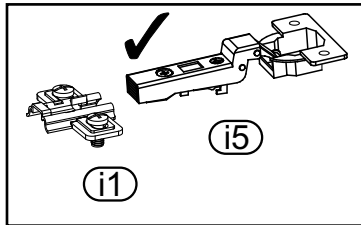
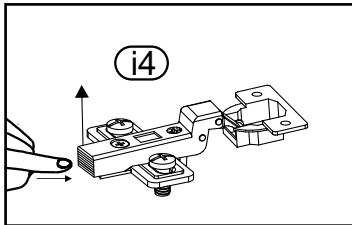
1



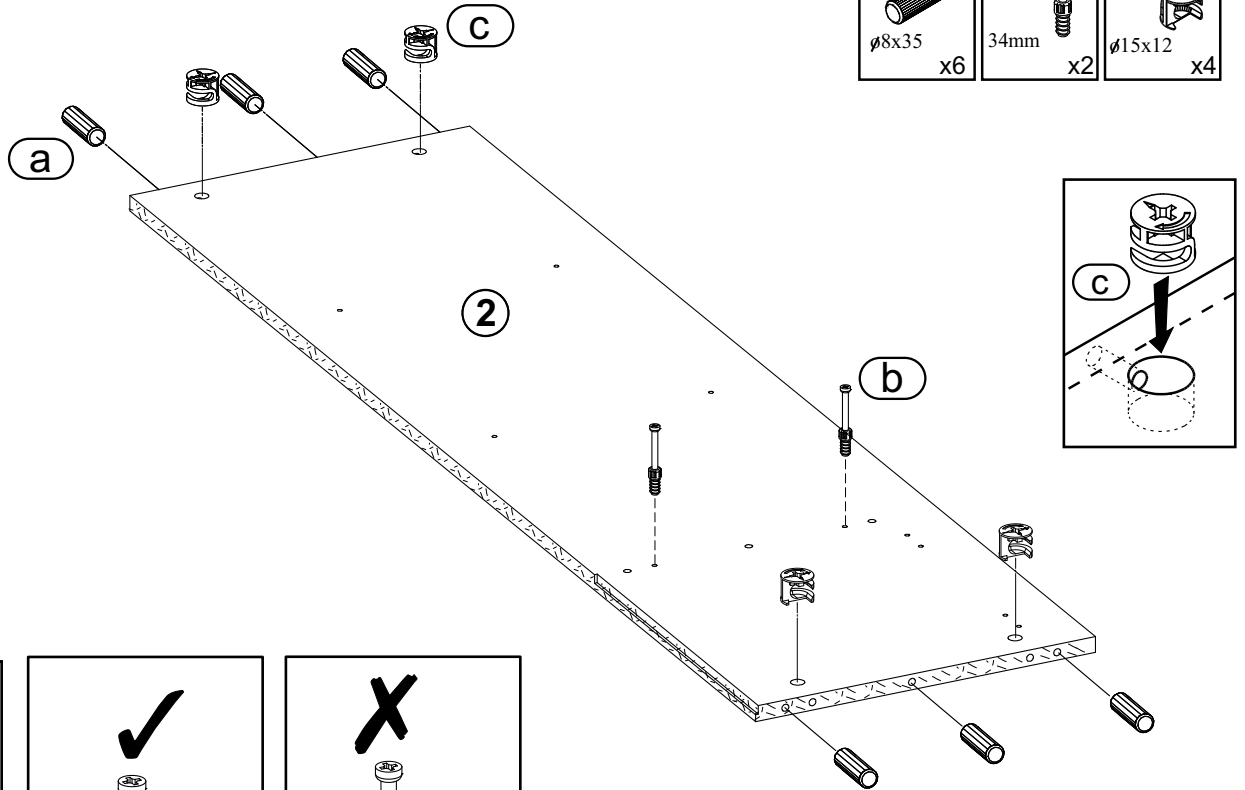
2



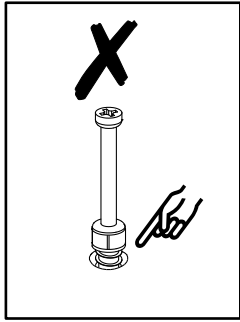
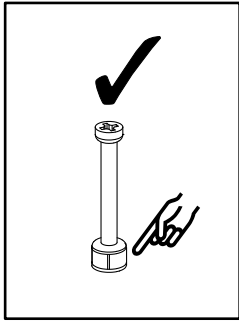
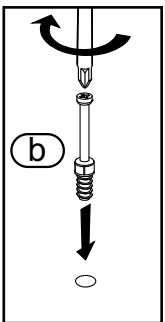
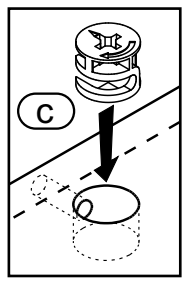
3



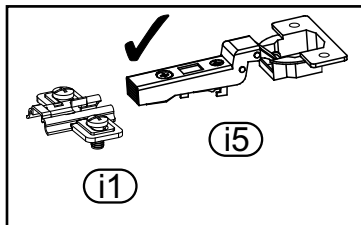
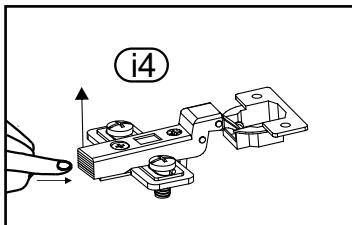
4



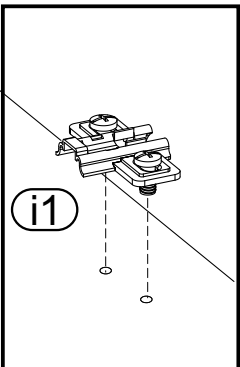
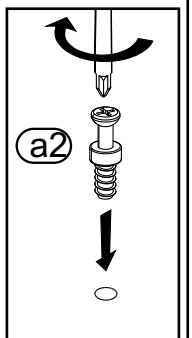
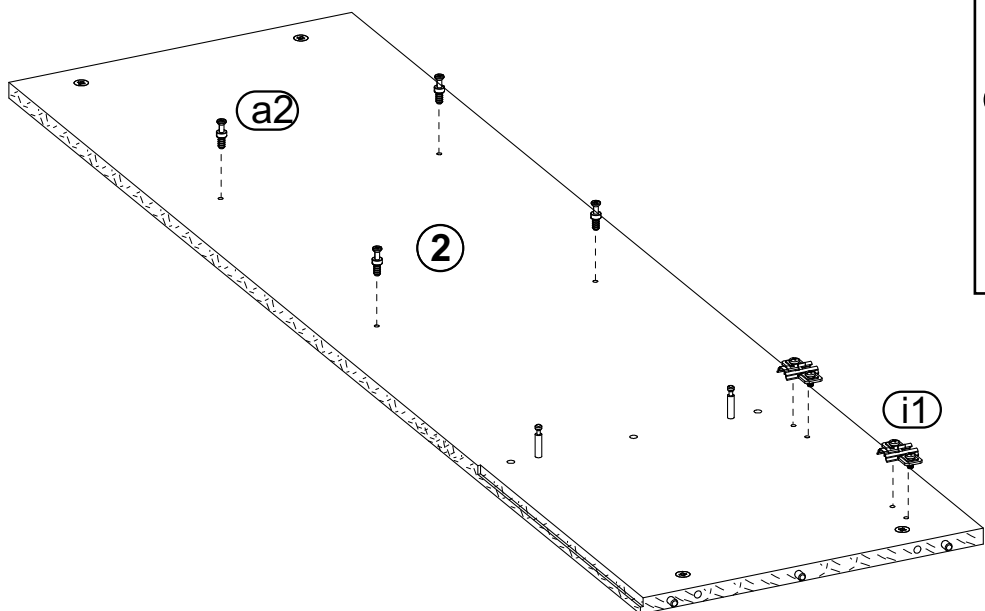
- (a) $\varnothing 8 \times 35$ x6
- (b) 34mm x2
- (c) $\varnothing 15 \times 12$ x4



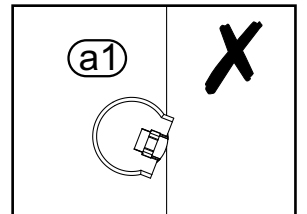
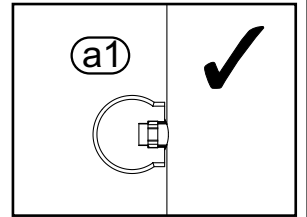
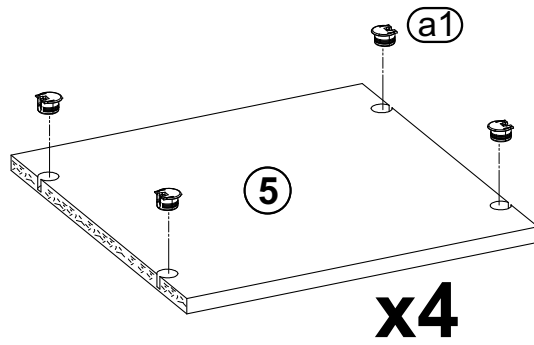
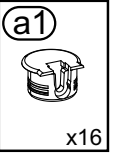
5



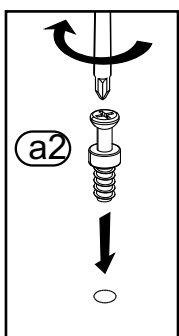
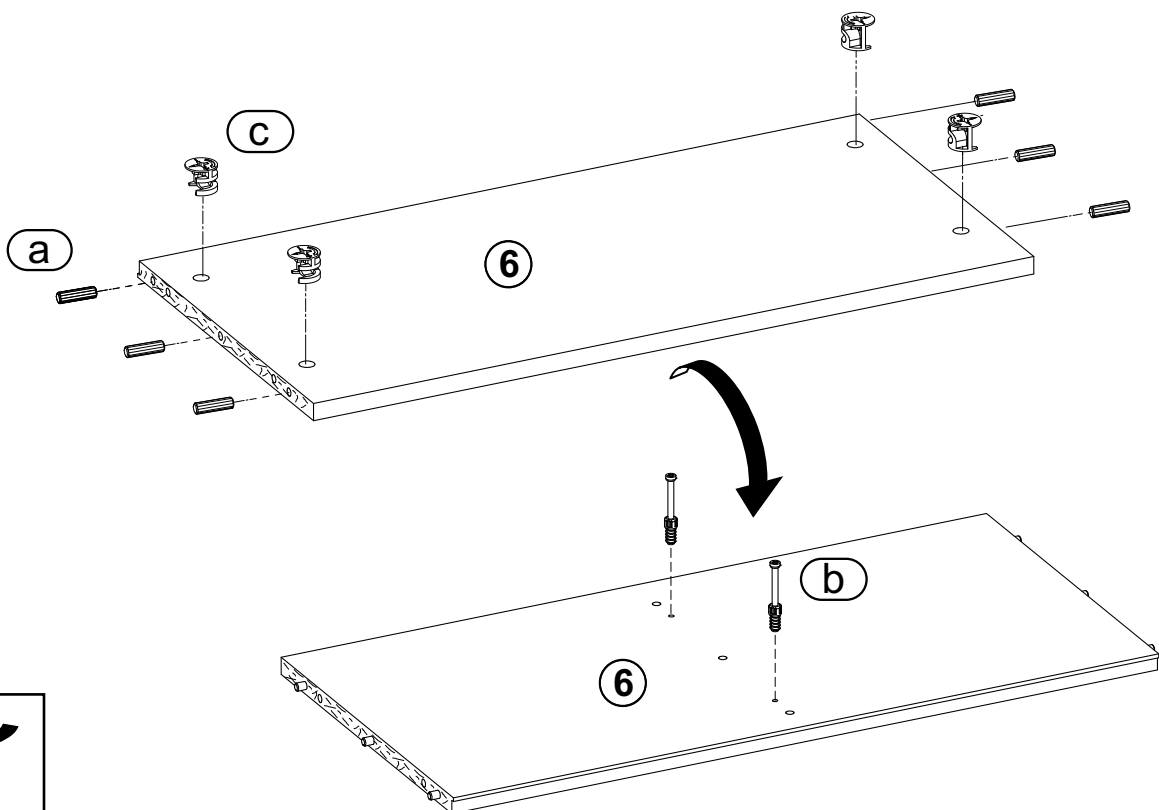
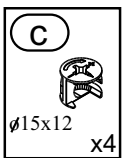
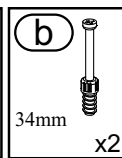
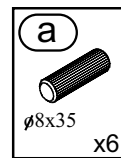
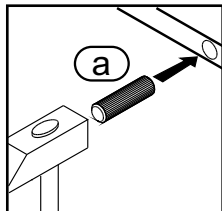
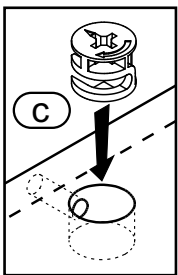
- (a2) x4
- (i1) x2



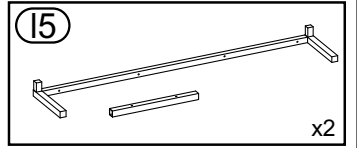
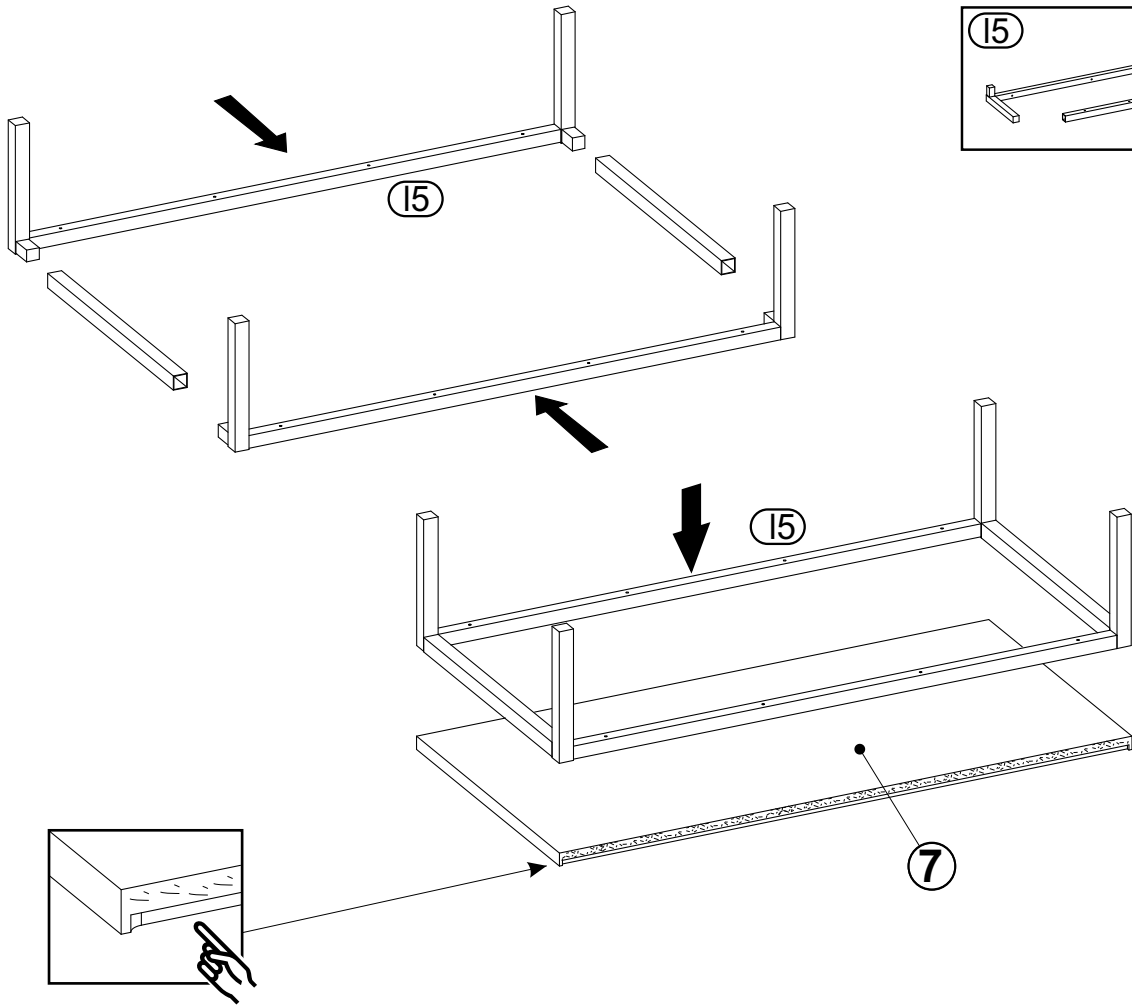
6



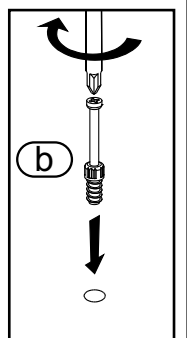
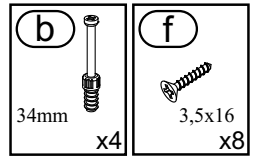
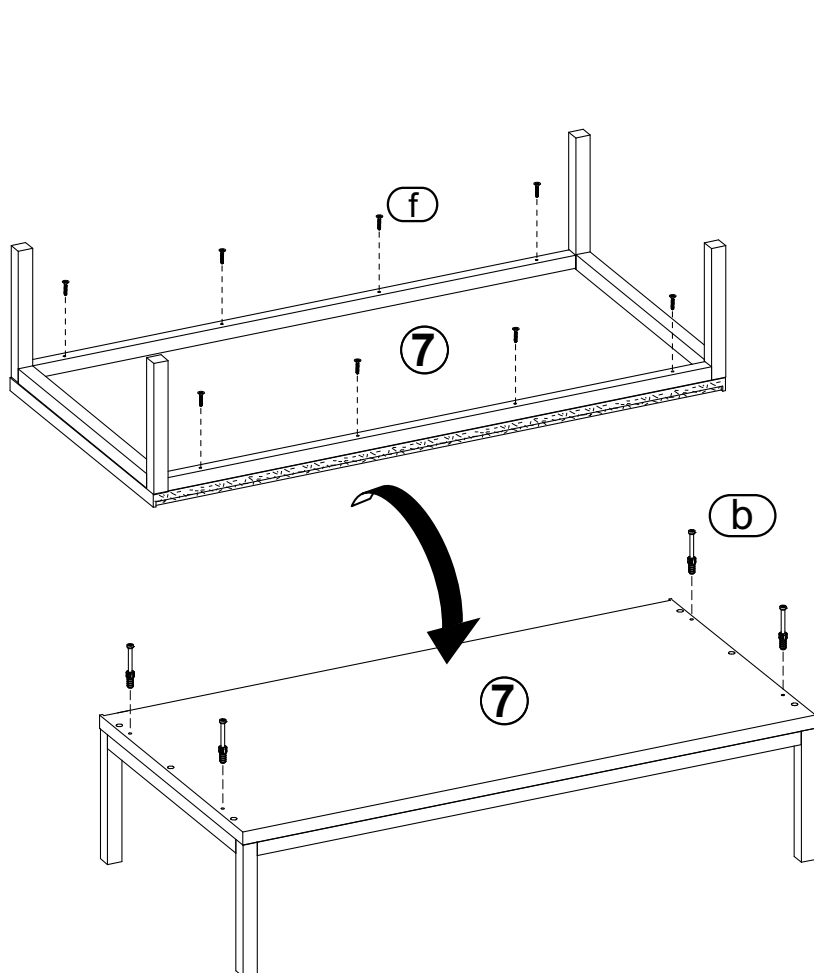
7



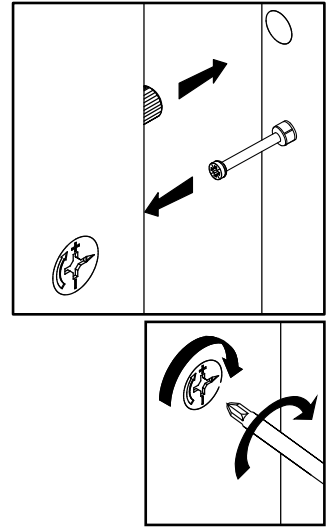
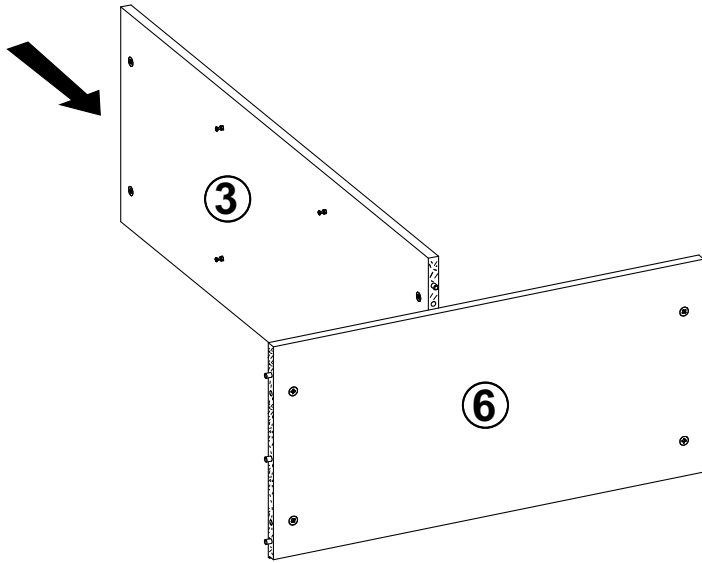
8



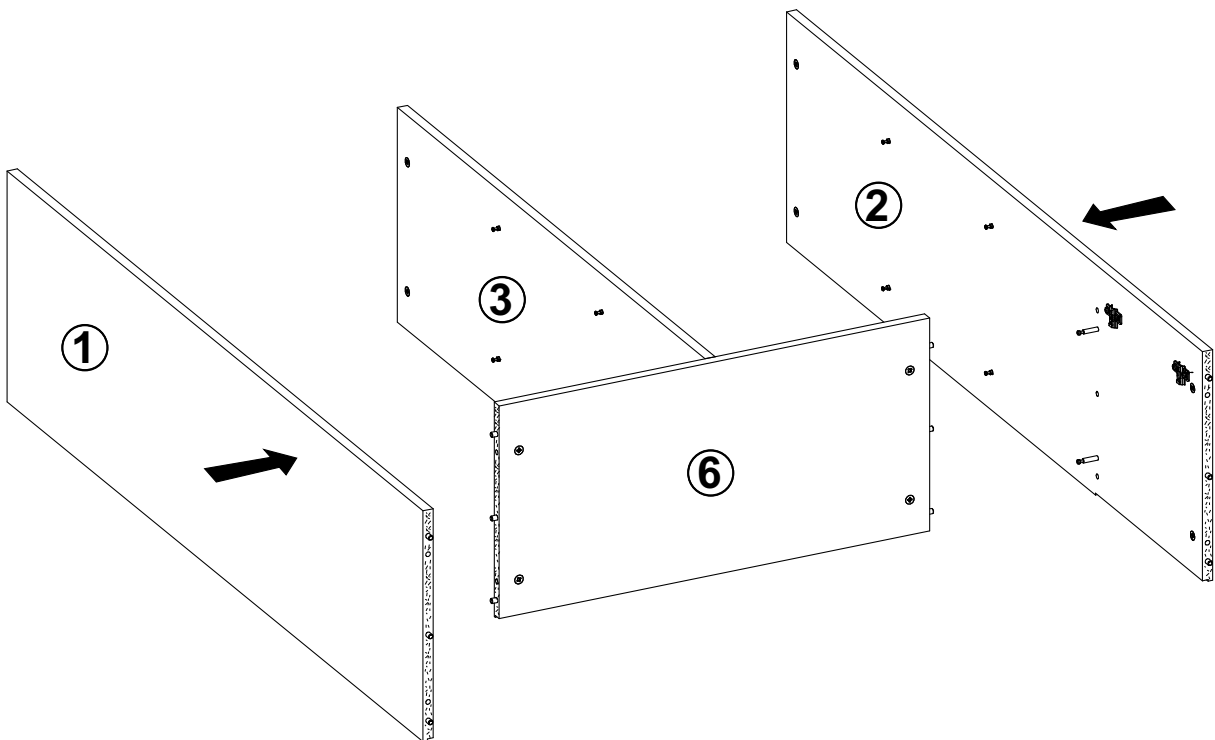
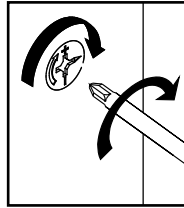
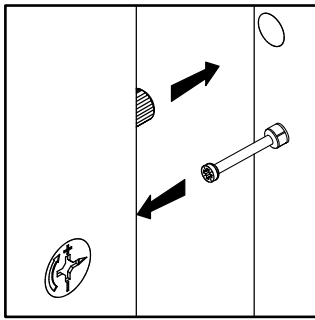
9



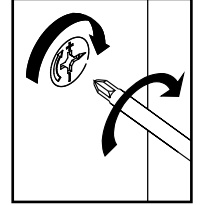
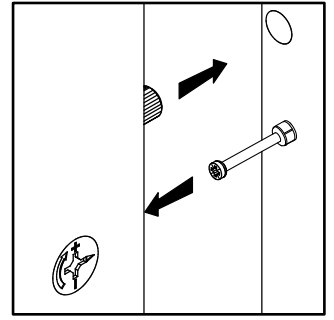
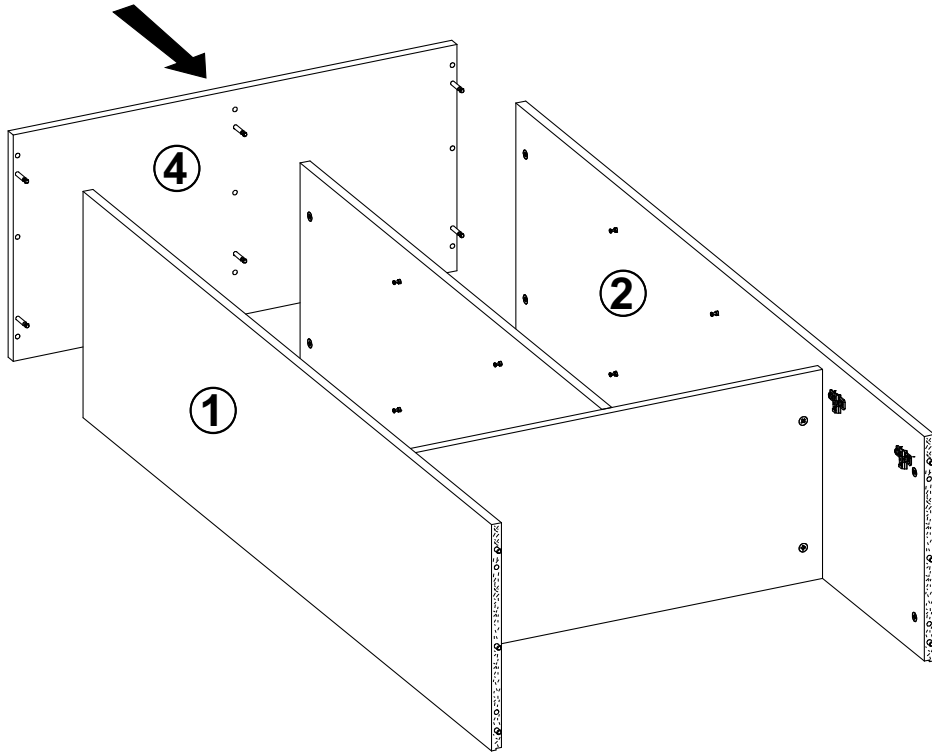
10



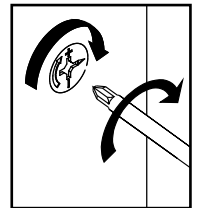
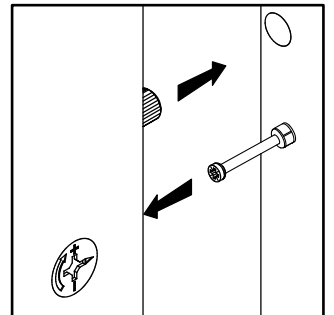
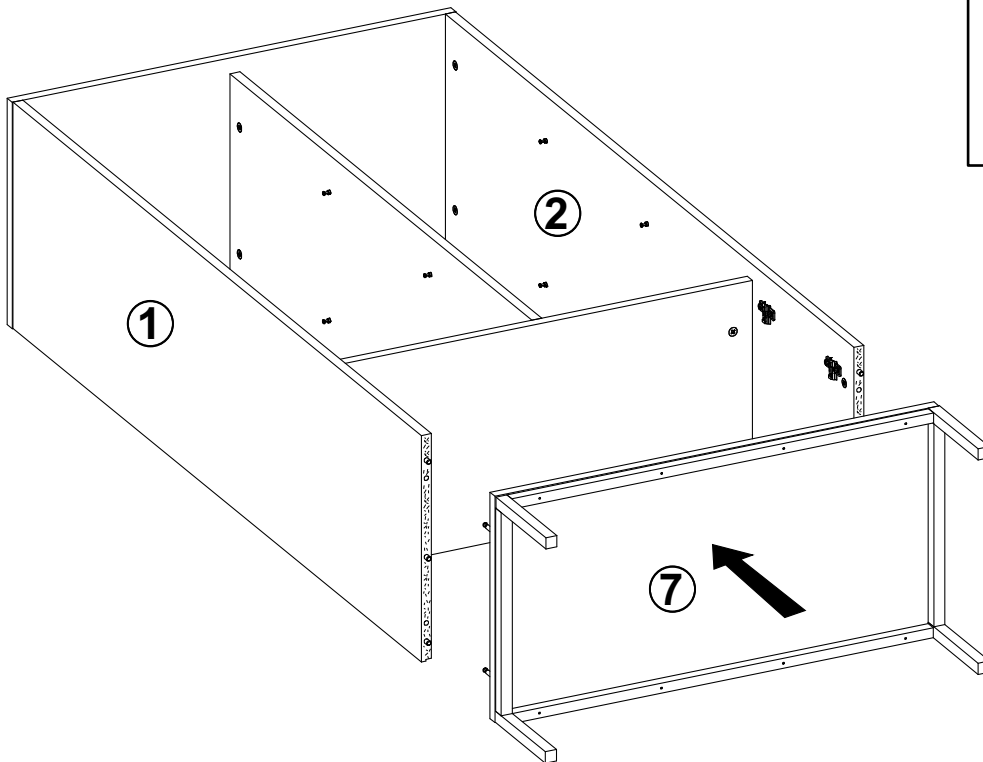
11



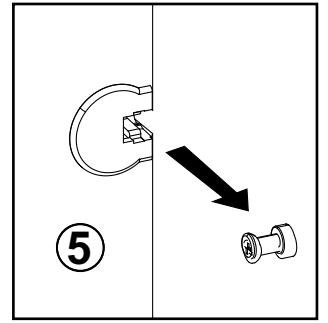
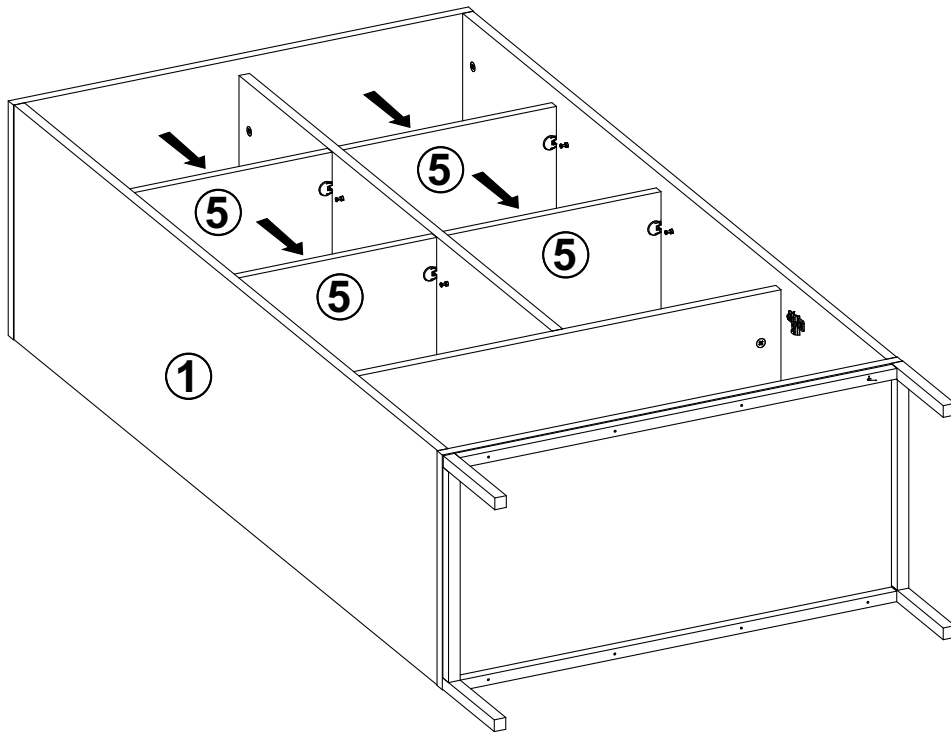
12



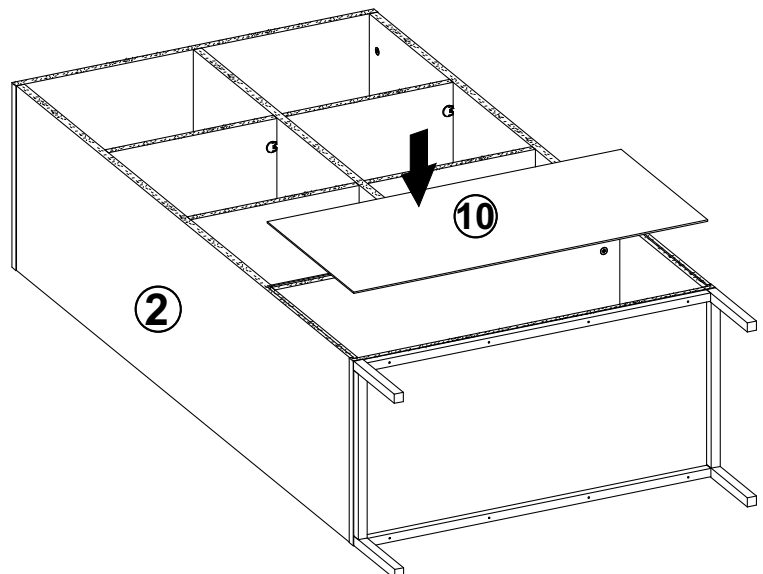
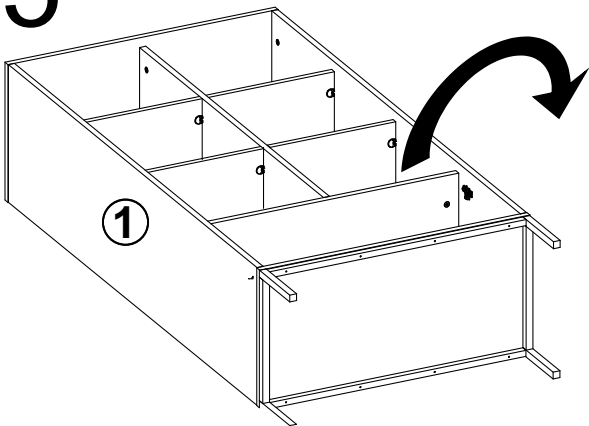
13



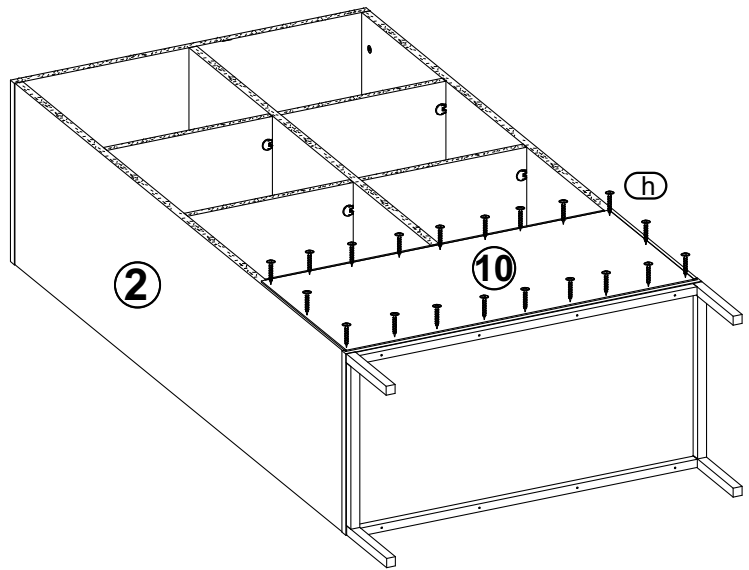
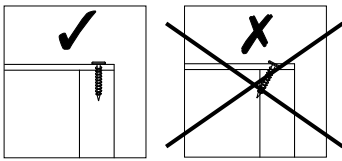
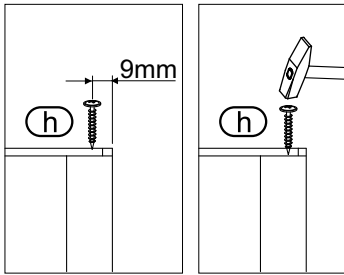
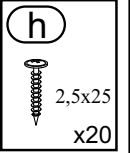
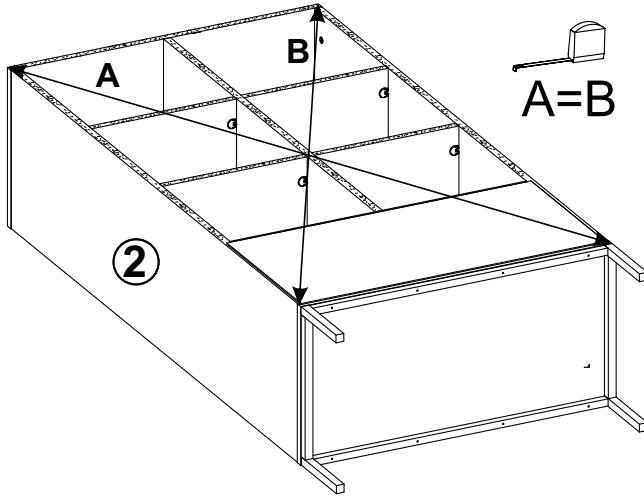
14



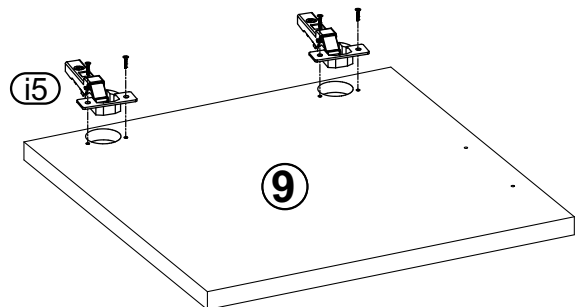
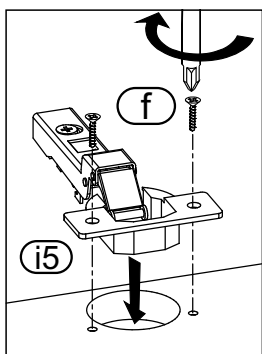
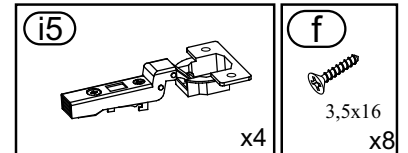
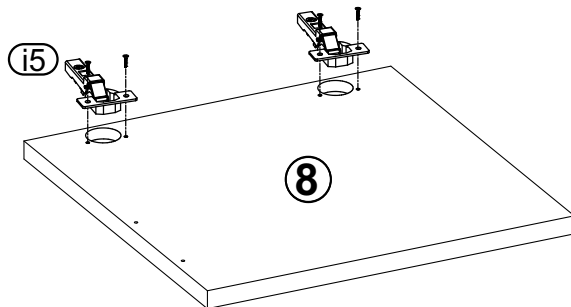
15



16



17



18

